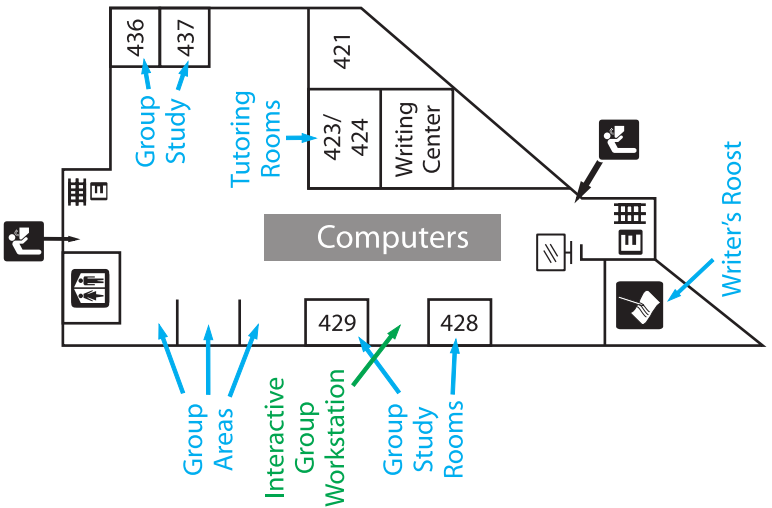


Anschutz Library

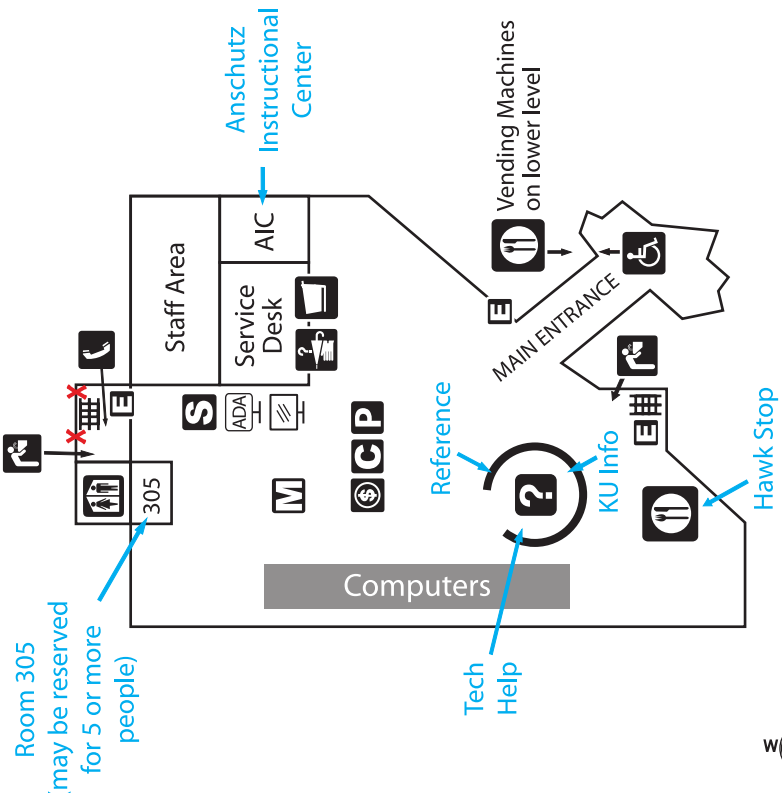
Stack Map



4th Floor



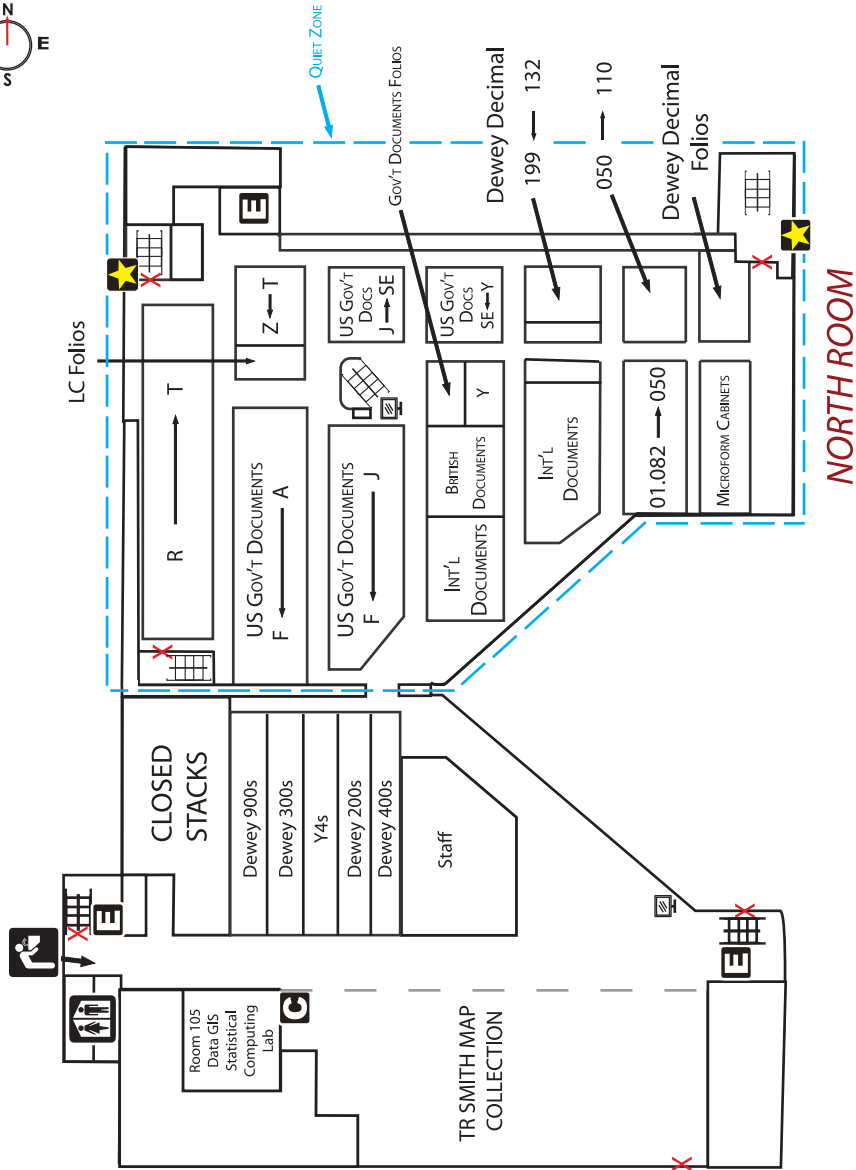
3rd Floor



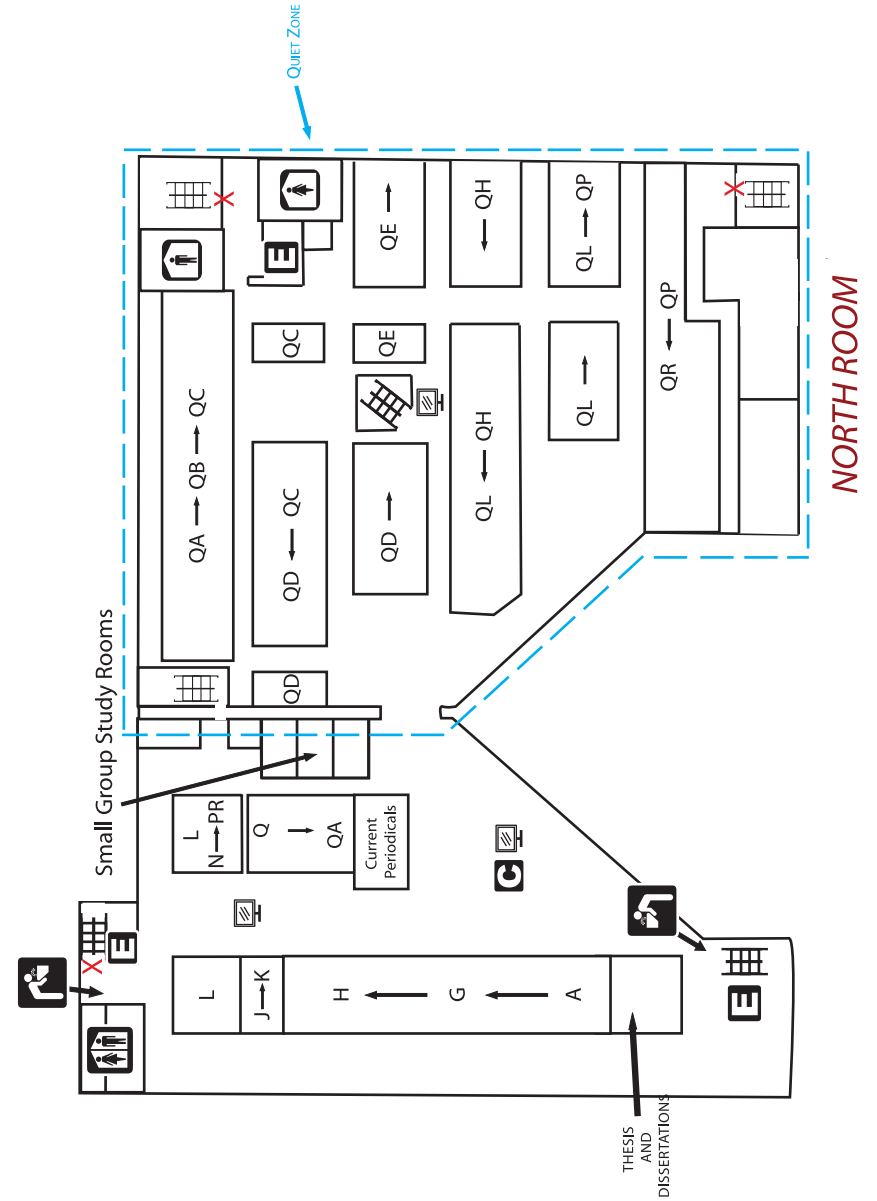
Service Desk: (785) 864-4928
 Reference Desk: (785) 864-4930
 1301 Hoch Auditoria Dr.
 Lawrence, KS 66045-7537



www.lib.ku.edu/askalibrarian/



1st Floor



2nd Floor

- Accessible Entrance
- Cash to Card Machine
- Copiers
- Emergency Exits
- Area of Rescue
- Catalog Search Computer
- Elevators
- Food
- Information
- Microform Reader/Printer
- Restrooms
- Water Fountain
- Lost & Found
- Public Scanner
- Stairs
- Writing Center